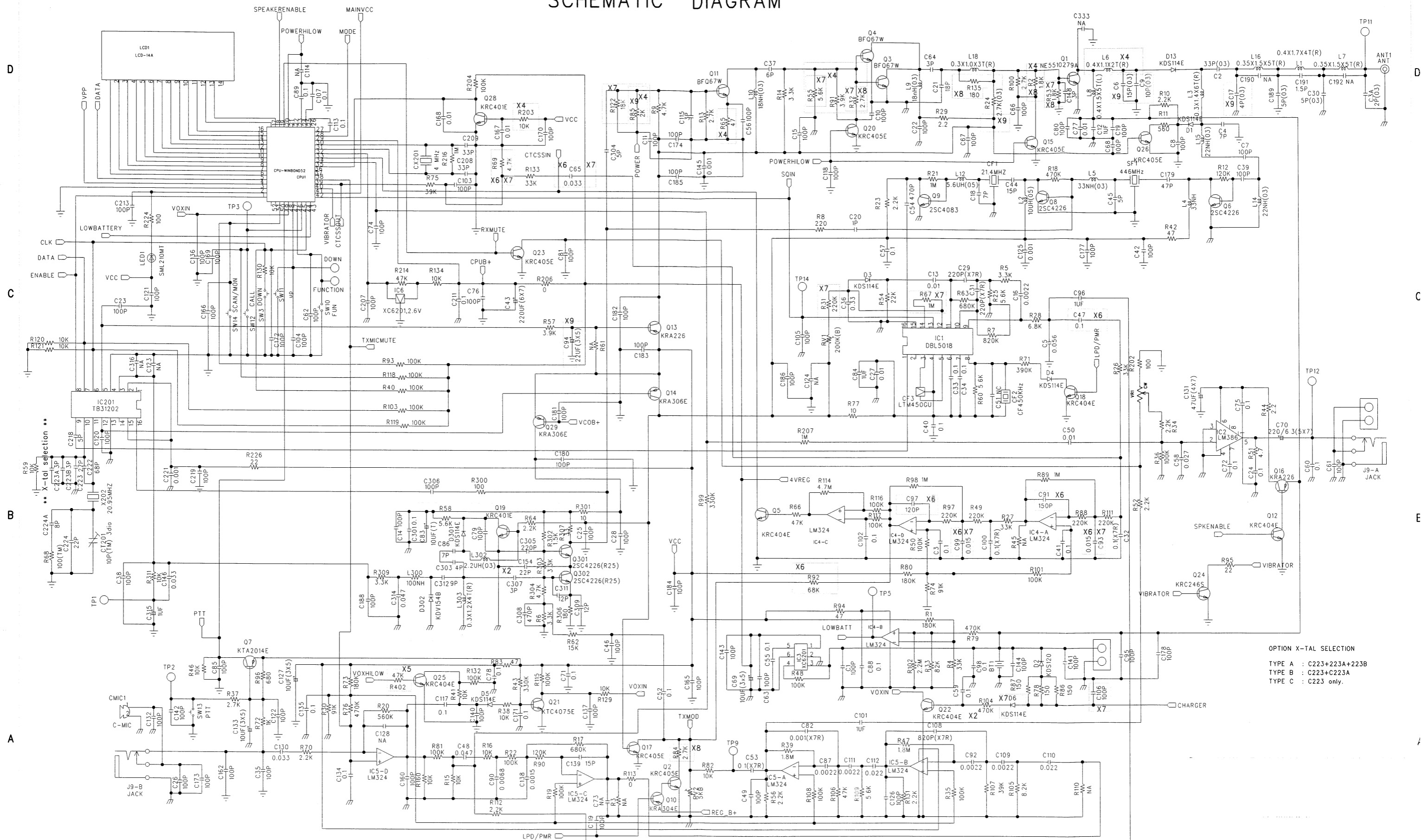


SCHEMATIC DIAGRAM



OPTION X-TAL SELECTION
 TYPE A : C223+223A+223B
 TYPE B : C223+C223A
 TYPE C : C223 only.